

ARMUR Rooftop Mounts

Table of contents

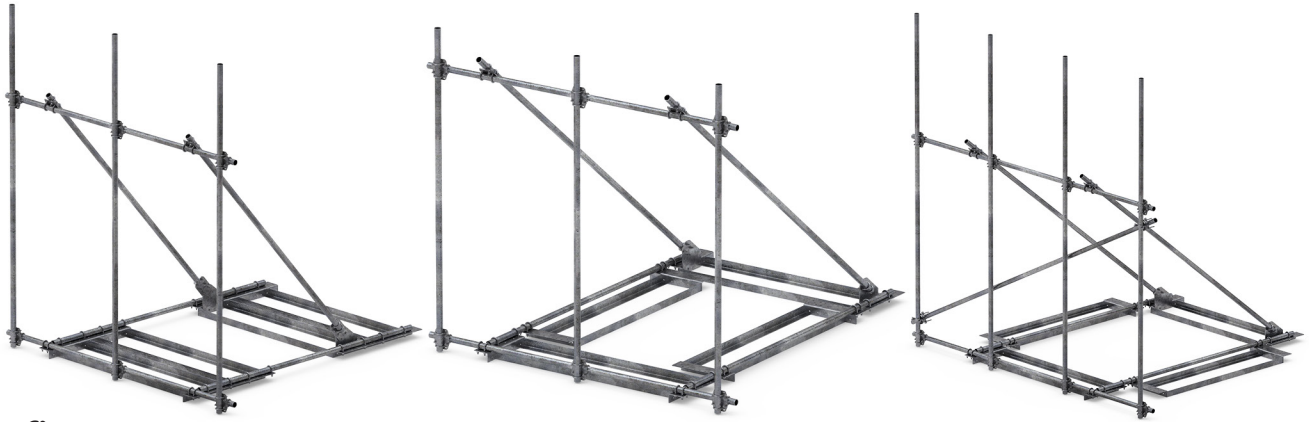
Introduction	2
Kits	3-4
Accessories	5
Notes	6
Custom build	7-13
Design your rooftop mount	14

Introduction

Why Sabre?

The new Adaptable Round Member Universal Rooftop (ARMUR) mount is designed to provide the ultimate flexibility in design applications. Compared to standard angle rooftop mounts, ARMUR rooftop mounts are stronger and more versatile. You can select from standard designs or create customized rooftop mount solutions and modifications with our flexible, diverse, and robust part selection guide.

With the ARMUR mount design, the round members allow for the most strength per member compared to an angle type mount. The trays are designed to be integral to many different layouts. When using a standard configuration, ARMUR mounts are among the strongest in the industry, giving peace of mind that they will enable connectivity for years to come.



Benefits

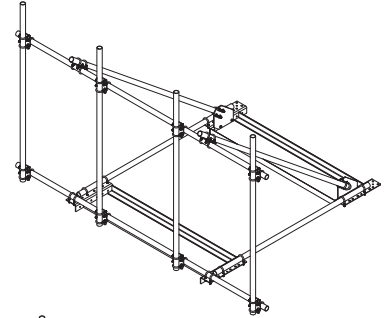
With a lower wind area, increased strength, and enhanced versatility, ARMUR mounts are setting the bar in providing a long-lasting solution that adapts with ease.

- Quickly add extra trays, members, and parts based on loading requirements
- Easily accommodates two pipe diameters for main members and three diameters for antenna pipes
- Design your own version of the ARMUR rooftop mount
- Our step-by-step selection guide provides a wide range of parts/kits needed to build or customize a design based on your specific needs
- Flexibility to change the angle of the diagonal support members provides more options and allows these components to be used for modifications on existing sites

Kits with Antenna Mounting Pipes

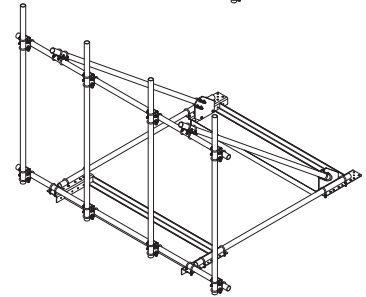
12 ft face rooftop ballast kit

Part Number	C10223712-42388
Description	12 ft kit with (4) 2 3/8 in. OD × 8 ft-0 in. antenna mounting pipes
Face Pipe Length	13 ft
Antenna Pipe Spacing	48 in.
Max Dimensions	156 in. × 107 in.
Weight	599 lbs.



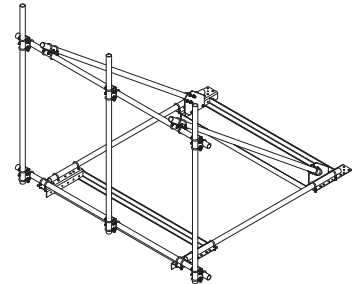
10 ft face rooftop ballast kit

Part Number	C10223710-42388
Description	10 ft kit with (4) 2 3/8 in. OD × 8 ft-0 in. antenna mounting pipes
Face Pipe Length	11 ft
Antenna Pipe Spacing	40 in.
Max Dimensions	132 in. × 107 in.
Weight	585 lbs.



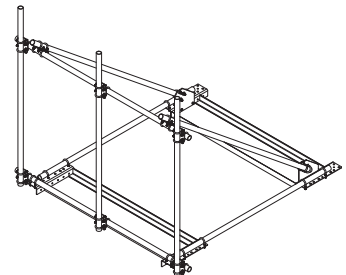
9 ft face rooftop ballast kit

Part Number	C10223709-32388
Description	9 ft kit with (3) 2 3/8 in. OD × 8 ft-0 in. antenna mounting pipes
Face Pipe Length	10 ft
Antenna Pipe Spacing	54 in.
Max Dimensions	120 in. × 107 in.
Weight	535 lbs.



8 ft face rooftop ballast kit

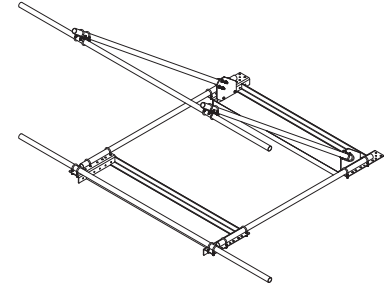
Part Number	C10223708-32388
Description	8 ft kit with (3) 2 3/8 in. OD × 8 ft-0 in. antenna mounting pipes
Face Pipe Length	9 ft
Antenna Pipe Spacing	49 in.
Max Dimensions	108 in. × 107 in.
Weight	527 lbs.



Kits without Antenna Mounting Pipes

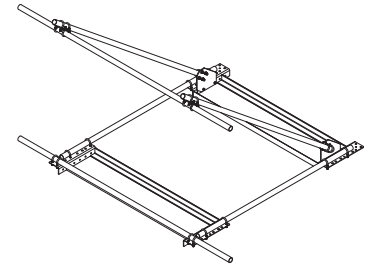
12 ft face rooftop ballast kit no antenna mounting pipes

Part Number	C10223712
Description	12 ft kit, no antenna mounting pipes
Face Pipe Length	13 ft
Max Dimensions	156 in. × 107 in.
Weight	429 lbs.



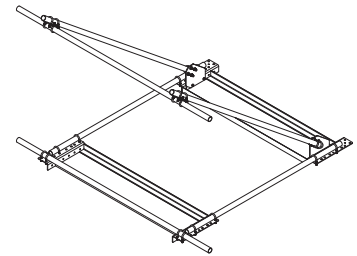
10 ft face rooftop ballast kit no antenna mounting pipes

Part Number	C10223710
Description	10 ft kit, no antenna mounting pipes
Face Pipe Length	11 ft
Max Dimensions	132 in. × 107 in.
Weight	414 lbs.



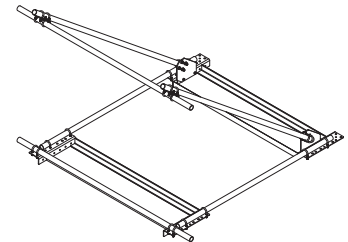
9 ft face rooftop ballast kit no antenna mounting pipes

Part Number	C10223709
Description	9 ft kit, no antenna mounting pipes
Face Pipe Length	10 ft
Max Dimensions	120 in. × 107 in.
Weight	407 lbs.

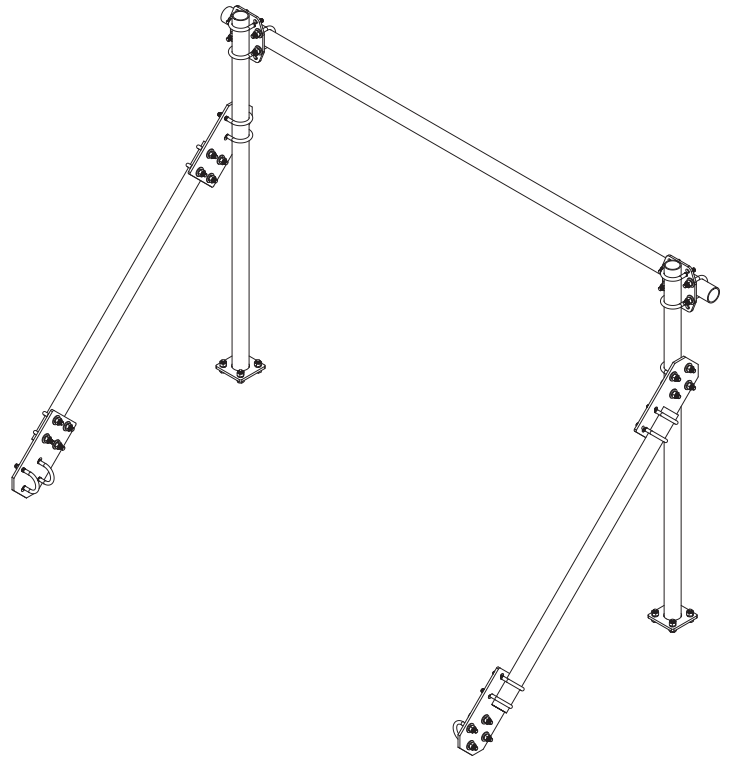


8 ft face rooftop ballast kit no antenna mounting pipes

Part Number	C10223708
Description	8 ft kit, no antenna mounting pipes
Face Pipe Length	9 ft
Max Dimensions	108 in. × 107 in.
Weight	400 lbs.



Kit Accessories



ARMUR series rooftop ballast RRU mount kit (shown above)

Part Number
Description
Weight

C10223700-RRU
Rooftop ballast RRU mount kit, 5 ft-0 in. posts w/ (1) 2 3/8 in. OD x 8 ft-0 in. horizontal pipe
160 lbs.

ARMUR series rooftop ballast tie down (not shown)

Part Number
Description
Weight

C10223991
Rooftop ballast tie down 10 ft-0 in. chain. + J-hooks
7 lbs.

One (1) tie down will be needed per ballast tray purchased.

Rubber Mats (not shown)

Part Number
Description
Weight

C10226001
Rubber mat 1/2 in. x 1 ft-6 in. X 4 ft
16 lbs.

Rubber mat available and recommended for beneath trays of ARMUR rooftop mount.








Notes:

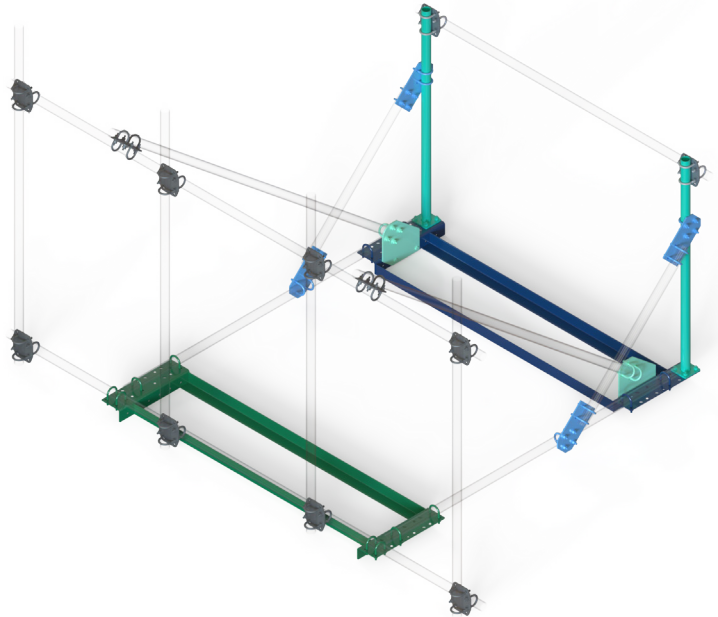
A large grid of graph paper for taking notes, consisting of 20 columns and 30 rows of small squares.



Build Your ARMUR Mount

Select parts from the following sections.

-  Ballast front
-  Ballast back/extra
-  Ballast tray gusset
-  Adapter plates for ballast tray gusset (not shown)
-  RRU posts
-  Side gussets pipes to RRU posts
-  Crossover plate kits
- Pipes
- RRU diagonal pipe
- Antenna mount pipes only
- Ballast tie down
- U-bolt assemblies
- Rubber mats





Ballast Front

ARMUR mount ballast tray (front), includes U-bolt for the side pipes and the front bottom face pipe. Ballast trays are designed for 8 × 8 × 16 hollow core or 4 × 8 × 16 solid core CMU blocks.

Part Number	C10223050F-238-238
Description	ARMUR (front face) ballast tray 2 3/8 in. side pipe - 2 3/8 in. face pipe
Includes	CW01661 - ARMUR ballast tray, weldment, Qty - 1 C40034139 - U-bolt assembly 1/2 in. - 13 IW 2 7/16 in. (fits 2 1/4 in. or 2 3/8 in. OD), Qty - 8

Part Number	C10223050F-238-278
Description	ARMUR (front face) ballast tray 2 3/8 in. side pipe - 2 7/8 in. face pipe
Includes	CW01661 - ARMUR ballast tray, weldment, Qty - 1 C40034139 - U-bolt assembly 1/2 in. - 13 IW 2 7/16 in. (fits 2 1/4 or 2 3/8 in. OD), Qty - 4 C40034140 - U-bolt assembly 1/2 in. - 13 IW 2 15/16 in. (fits 2 3/4 or 2 7/8 in. OD), Qty - 4

Part Number	C10223050F-278-238
Description	ARMUR (front face) ballast tray 2 7/8 in. side pipe - 2 3/8 in. face pipe
Includes	CW01661 - ARMUR ballast tray, weldment, Qty - 1 C40034139 - U-bolt assembly 1/2 in. - 13 IW 2 7/16 in. (fits 2 1/4 or 2 3/8 in. OD), Qty - 4 C40034140 - U-bolt assembly 1/2 in. - 13 IW 2 15/16 in. (fits 2 3/4 or 2 7/8 in. OD), Qty - 4

Part Number	C10223050F-278-278
Description	ARMUR (front face) ballast tray 2 7/8 in. side pipe - 2 7/8 in. face pipe
Includes	CW01661 - ARMUR ballast tray, weldment, Qty - 1 C40034140 - U-bolt assembly 1/2 in. - 13 IW 2 15/16 in. (fits 2 3/4 or 2 7/8 in. OD), Qty - 8



Ballast Back/Extra

Rooftop mount ballast tray for use in the back or other areas.
Ballast trays are designed for 8 × 8 × 16 hollow core or 4 × 8 × 16 solid core CMU blocks.



Part Number	C10223050U-238
Description	ARMUR (back or other universal) ballast tray 2 3/8 in. side pipe
Includes	CW01661 - ARMUR ballast tray, weldment, Qty - 1 C40034139 - U-bolt assembly 1/2 in. - 13 IW 2 7/16 in. (fits 2 1/4 or 2 3/8 in. OD), Qty - 4

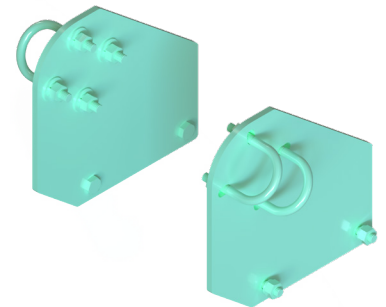
Part Number	C10223050U-278
Description	ARMUR (back or other universal) ballast tray 2 7/8 in. side pipe
Includes	CW01661 - ARMUR ballast tray, weldment C40034140 - U-bolt assembly 1/2 in. - 13 IW 2 15/16 in. (fits 2 3/4 or 2 7/8 in. OD)

Ballast Tray Gusset

Rooftop mount ballast tray gussets to hold diagonal support pipe.
Available in kits of two for supporting diagonals at a 39 degree pitch. Includes required bolts and U-bolts.

Part Number	C10223051-238
Description	Gusset, ballast tray to 2 3/8 in. diagonal pipe
Includes	CS04094 - Gusset, pipe to CMU tray, 39 deg, Qty - 2 C40026003 - Bolt assembly 1/2 in. - 13 × 1 1/2 in. (1 in. THD) A325 HDG, Qty - 4 C40034139 - U-bolt assembly 1/2 in. - 13 IW 2 7/16 in. (fits 2 1/4 or 2 3/8 in. OD), Qty - 4

Part Number	C10223051-278
Description	Gusset, ballast tray to 2 7/8 in. diagonal pipe
Includes	CS04094 - Gusset, pipe to CMU tray, 39 deg, Qty - 2 C40026003 - Bolt assembly 1/2 in. - 13 × 1 1/2 in. (1 in. THD) A325 HDG, Qty - 4 C40034140 - U-bolt assembly 1/2 in. - 13 IW 2 15/16 in. (fits 2 3/4 or 2 7/8 in. OD), Qty - 4

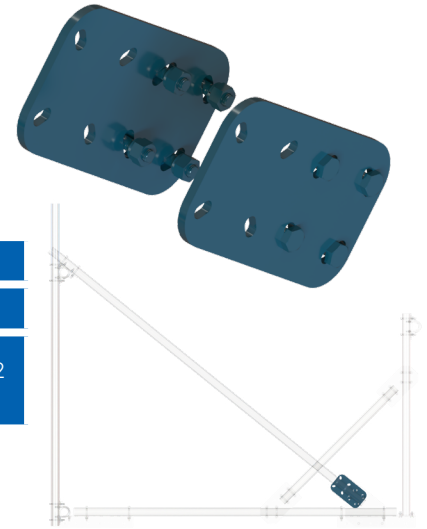




Adapter plates for ballast tray gusset

The kit includes two adapter plates with required bolts (use U-bolts from ballast tray gussets).

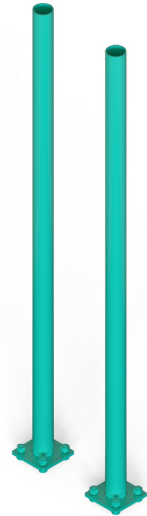
Part Number	C10223052-238-278
Description	Gusset to 2 3/8 in. or 2 7/8 in. diagonal pipe +/- 10 degree adapter plate
Includes	CS04096 - Gusset to pipe adapter plate for 2.375 in. & 2.875 in. OD pipe, +/- 10 deg., Qty - 2 C40026004 - Bolt assembly 1/2 in. - 13 x 1 3/4 in. (1 in. THD) A325 HDG, Qty - 8



RRU Posts

These are the RRU posts for the ARMUR rooftop. They come in kits with two posts and required hardware for attachment to a back ballast tray.

Part Number	C10223053-RRU
Description	2 3/8 in. x 5 ft RRU posts for ARMUR rooftop
Includes	CW01662 - RRU post weldment 5 ft-0 in., Qty - 2 C40026003 - Bolt assembly 1/2 in. - 13 x 1 1/2 in. (1 in. THD) A325 HDG, Qty - 8

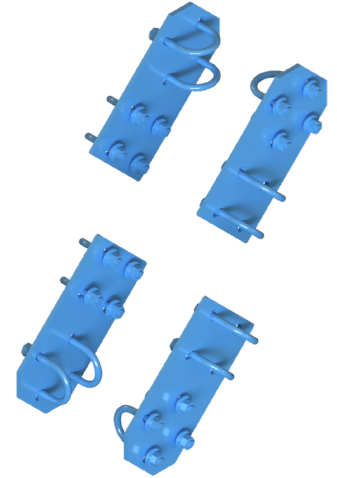




Side gussets pipes to RRU posts

These are side gussets to attach the RRU post and side rooftop mount pipes. They come in kits of four (two top and two bottom) with required hardware.

Part Number	C10223054-238-238
Description	Gusset, side pipe to RRU post - 2 3/8 in. side pipe to 2 3/8 in. diagonal pipe for RRU post
Includes	CS04095 - Gusset, side pipe to RRU post, 45 deg., Qty - 4 C40034139 - U-bolt assembly 1/2 in. - 13 IW 2 7/16 in. (fits 2 1/4 or 2 3/8 in. OD), Qty - 16
Part Number	C10223054-278-238
Description	Gusset, side pipe to RRU post - 2 7/8 in. side pipe to 2 3/8 in. diagonal pipe for RRU post
Includes	CS04095 - Gusset, side pipe to RRU post, 45 deg., Qty - 4 C40034139 - U-bolt assembly 1/2 in. - 13 IW 2 7/16 in. (fits 2 1/4 or 2 3/8 in. OD), Qty - 12 C40034140 - U-bolt assembly 1/2 in. - 13 IW 2 15/16 in. (fits 2 3/4 or 2 7/8 in. OD), Qty - 4
Part Number	C10223054-238-278
Description	Gusset, side pipe to RRU post - 2 3/8 in. side pipe to 2 7/8 in. diagonal pipe for RRU post
Includes	CS04095 - Gusset, side pipe to RRU post, 45 deg., Qty - 4 C40034139 - U-bolt assembly 1/2 in. - 13 IW 2 7/16 in. (fits 2 1/4 or 2 3/8 in. OD), Qty - 8 C40034140 - U-bolt assembly 1/2 in. - 13 IW 2 15/16 in. (fits 2 3/4 or 2 7/8 in. OD), Qty - 8

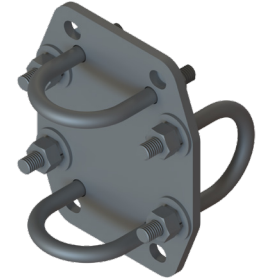




Crossover Plate Kits

Crossover plate kits used for antenna pipes. Determine face pipe and antenna pipe OD to select crossover plate kits. For attaching diagonal pipe to top front face, find the OD of diagonal pipes and top face pipes when selecting crossover plate kits.

Part Number	Description
C10902611	Crossover plate kit for 2 3/8 in. to 2 3/8 in. OD pipe, 1/2 in. U-bolts
C10902612	Crossover plate kit for 2 3/8 in. to 2 7/8 in. OD pipe, 1/2 in. U-bolts
C10902013	Crossover plate kit for 2 3/8 in. to 3 1/2 in. OD pipe, 1/2 in. U-bolts
C10902625	Crossover plate kit for 2 7/8 in. to 2 7/8 in. OD pipe, 1/2 in. U-bolts
C10902614	Crossover plate kit for 2 7/8 in. to 3 1/2 in. OD pipe, 1/2 in. U-bolts



Pipes - Main Member and Antenna

Pipes used for main members of the rooftop mount, as well as antenna pipes.

Part Number	Description	Part Number	Description
C10901207	Pipe 2 3/8 in. OD (sch 40) × .154 × 7 ft-0 in. 50 ksi (galv.)	C10901307	Pipe 2 7/8 in. OD (sch 40) × .203 × 7 ft-0 in. 50 ksi (galv.)
C10901222	Pipe 2 3/8 in. OD (sch 40) × .154 × 8 ft-0 in. 50 ksi (galv.)	C10901322	Pipe 2 7/8 in. OD (sch 40) × .203 × 8 ft-0 in. 50 ksi (galv.)
C10901209	Pipe 2 3/8 in. OD (sch 40) × .154 × 9 ft-0 in. 50 ksi (galv.)	C10901309	Pipe 2 7/8 in. OD (sch 40) × .203 × 9 ft-0 in. 50 ksi (galv.)
C10901224	Pipe 2 3/8 in. OD (sch 40) × .154 × 10 ft-0 in. 50 ksi (galv.)	C10901329	Pipe 2 7/8 in. OD (sch 40) × .203 × 10 ft-0 in. 50 ksi (galv.)
C10901211	Pipe 2 3/8 in. OD (sch 40) × .154 × 11 ft-0 in. 50 ksi (galv.)	C10901311	Pipe 2 7/8 in. OD (sch 40) × .203 × 11 ft-0 in. 50 ksi (galv.)
C10901212	Pipe 2 3/8 in. OD (sch 40) × .154 × 12 ft-0 in. 50 ksi (galv.)	C10901312	Pipe 2 7/8 in. OD (sch 40) × .203 × 12 ft-0 in. 50 ksi (galv.)
C10901213	Pipe 2 3/8 in. OD (sch 40) × .154 × 13 ft-0 in. 50 ksi (galv.)	C10901313	Pipe 2 7/8 in. OD (sch 40) × .203 × 13 ft-0 in. 50 ksi (galv.)
C10901214	Pipe 2 3/8 in. OD (sch 40) × .154 × 14 ft-0 in. 50 ksi (galv.)	C10901314	Pipe 2 7/8 in. OD (sch 40) × .203 × 14 ft-0 in. 50 ksi (galv.)
C10901215	Pipe 2 3/8 in. OD (sch 40) × .154 × 15 ft-0 in. 50 ksi (galv.)	C10901315	Pipe 2 7/8 in. OD (sch 40) × .203 × 15 ft-0 in. 50 ksi (galv.)

Other lengths available. Contact us to learn more.

Other lengths available. Contact us to learn more.

RRU Diagonal Pipe

Options for the diagonal pipes to the RRU mount.

Part Number	Description
C10901223	Pipe 2 3/8 in. OD (sch 40) × .154 in. × 5 ft-0 in. 50 ksi (galv.)
C10901330	Pipe 2 7/8 in. OD (sch 40) × .203 in. × 5 ft-0 in. 50 ksi (galv.)

Other lengths available. Contact us to learn more.



Antenna Pipes Only

Only for antenna pipes on the front if this size is required. They cannot be used as main rooftop member pipes.

Part Number	Description
C10901512	Pipe 3 1/2 in. OD (sch 40) × .216 × 8 ft-0 in. 50 ksi (galv.)
C10901517	Pipe 3 1/2 in. OD (sch 40) × .216 × 10 ft-0 in. 50 ksi (galv.)
C10901515	Pipe 3 1/2 in. OD (sch 40) × .216 × 15 ft-0 in. 50 ksi (galv.)

Other lengths available. Contact us to learn more.

Ballast Tie Down

Part Number	Description
C10223991	Rooftop ballast tie down 10 ft-0 in. chain + J-Hooks

One (1) tie down will be needed per ballast tray.

U-bolt Assemblies

Additional U-bolts if needed to make a connection beyond what the kits will provide.

Part Number	Description
C40034139	U-bolt assembly 1/2 in. - 13 IW 2 7/16 in. (fits 2 1/4 or 2 3/8 in. OD)
C40034140	U-bolt assembly 1/2 in. - 13 IW 2 15/16 in. (fits 2 3/4 or 2 7/8 in. OD)
C40034143	U-bolt assembly 1/2 in. - 13 IW 3 9/16 in. (fits 3 1/2 in. OD)

Other lengths available. Contact us to learn more.

Rubber Mats

Rubber mat available and recommended for placing beneath trays of rooftop mount.

Part Number	Description
C10226001	Rubber mat 1/2 in. × 1 ft-6 in. X 4 ft



Design Your Rooftop Mount





sabre

Leading provider of highly-engineered
critical infrastructure solutions

info@sabreindustries.com
sabreindustries.com

7101 South Bridge Dr
Sioux City, IA 51111
(866) 428.6937